

VARIO SILOS

These silos are only suitable **for indoor installation**



Version ED9

Presentation :

- Suitable for storing of cereals and oilseeds in dried conditions
- Delivered with roof
- Made of 100% galvanized steel sheets
- Funnel inclination 60° and standard outlet D=150
- Slide valve D=150 included
- Quick and easy assembly
- Delivered in kit= transport costs are optimized + assembly is possible in extrem small spaces.

- 5 different silo sizes are available :

	Content	Article	Dimensions	Height output
ED1	1 m ³	4009099015955	1172mmx1172mmx2537mm	960 mm
ED3	3 m ³	4009099015957	1172mmx1172mmx4350 mm	960 mm
ED5	5 m ³	4009099015959	1852mmx1852mmx4000 mm	1300 mm
ED7	7 m ³	4009099015960	1852mmx1852mmx4700 mm	1300 mm
ED9	9 m ³	4009099015961	1852mmx1852mmx5400 mm	1300 mm

Available extensions:

	Content	Référence	Dimensions
ED1H	1 m ³	4009099015956	1172mmx1172mmx3250 mm
ED3H	3 m ³	4009099015958	1172mmx1172mmx5050 mm

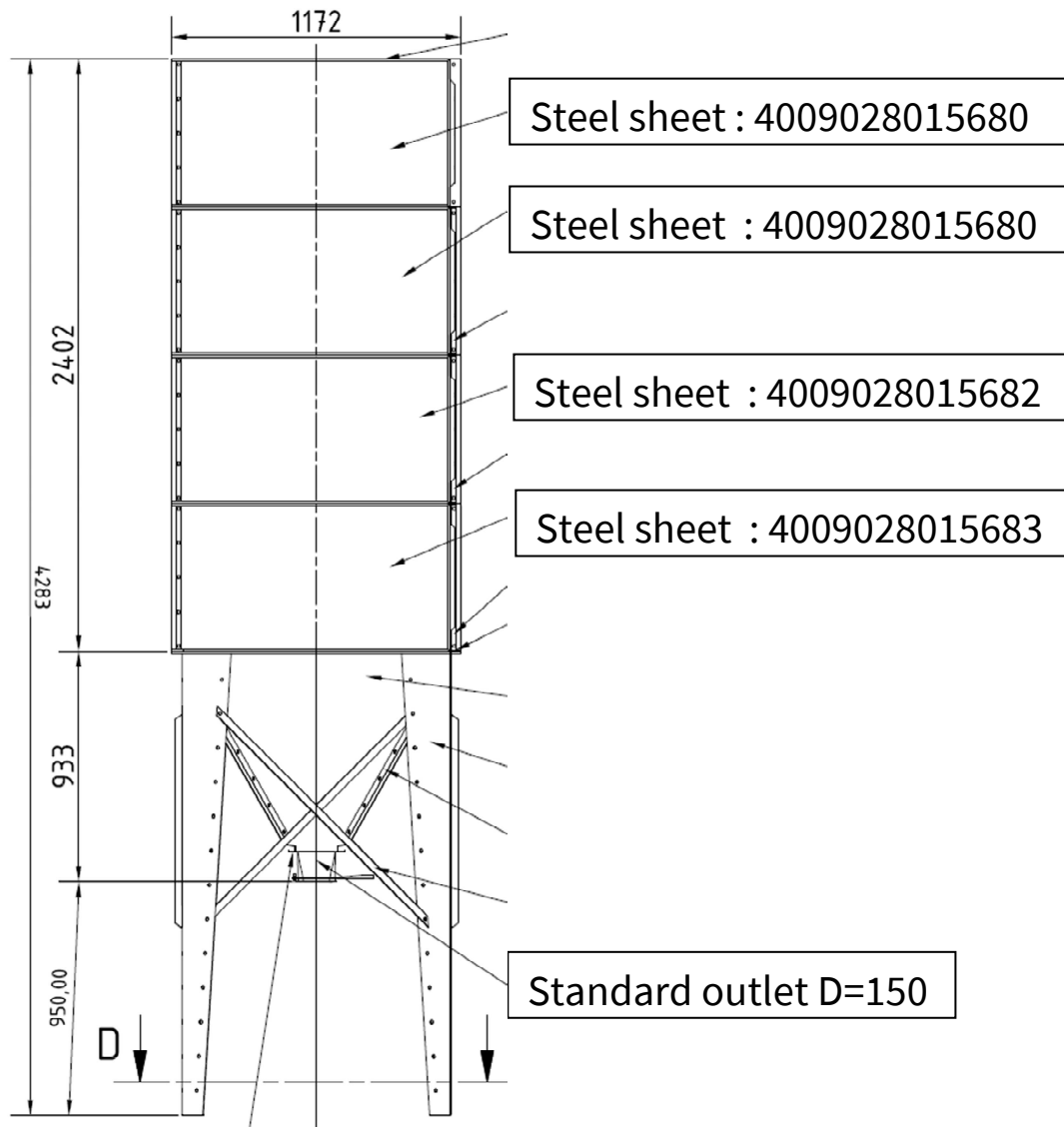
- Which material would you like to store ?

for all grain types and also for rapeseeds



Drawing and dimensions of Vario-silo ED3 :

(Drawing and dimensions of all other ED silos on request)

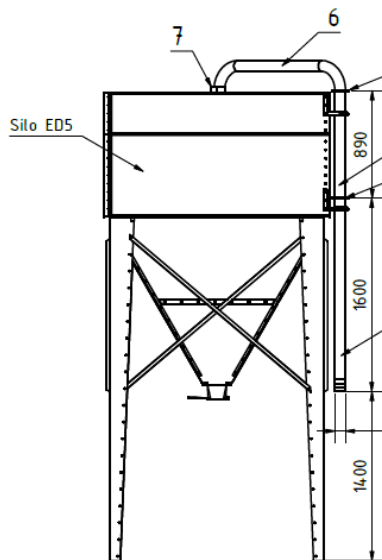


Steel sheet thickness for Vario Silo ED3:

4009028015683	1,00 mm
4009028015682	0,75 mm
4009028015680	0,63 mm

Option:

- Pneumatic loading for Vario Silo ED5 (article 4009098015755)



For example:



For any further information, please visit our website :

[Homepage - Schmelzer \(a-schmelzer.com\)](http://a-schmelzer.com)

Tel: +49 (0)9231/9792-0

zentrale@a-schmelzer.de