

Radial fan LC



Example: Radial fan LC with transition

Description and advantages:

- High pressure fans for ventilation and drying
- Stable welding construction galvanized
- High power fan with backward curved blades
- Easy mobile fans with carriage version
- 3- phase connection / 400V / 50 Hz
- Nuisance sonore : 103,7 dB(A) pour LC5,5 et 99,3 dB(A) pour LC3,0
- Ready to use – with switch-plug-combination

List of available fans:

Article	_Description – Motor power	Air volume	Max. pressure
4009029015764	Fan LC 1,1 kW	4000 m ³ /h	1200 Pa
4009029015765	Fan LC 2,2 kW	6000 m ³ /h	1700 Pa
4009029015766	Fan LC 3,0 kW	6500 m ³ /h	2500 Pa
4009029015767	Fan LC 4,0 kW	7000 m ³ /h	2600 Pa
4009029015768	Fan LC 5,5 kW	11000 m ³ /h	3400 Pa
4009029015769	Fan LC 7,5 kW	12500 m ³ /h	3500 Pa
4009029015771	Fan LC 11 kW	14.000 m ³ /h	3800 Pa
4009029015776	Fan LC 15 kW	16.000 m ³ /h	4500 Pa

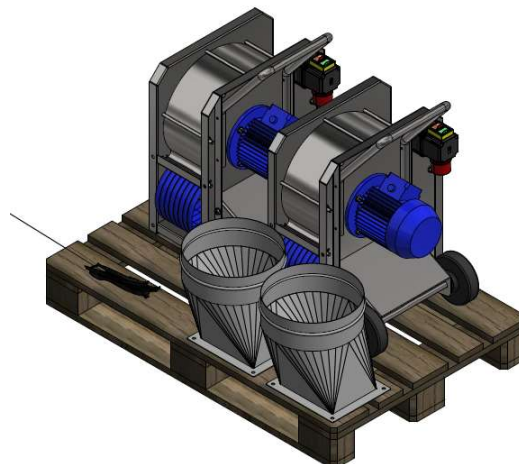
What material would you like to store ventilate / dry?

Ventilation and drying of grains, rice, maize and other bulk goods

Reminder:

- b) Ventilation to cool the grain: 15-20 m³/h per m³ storage
- c) Ventilation to dry the grain : 80 – 120 m³/h per m³ storage

Optimisation of the packaging :

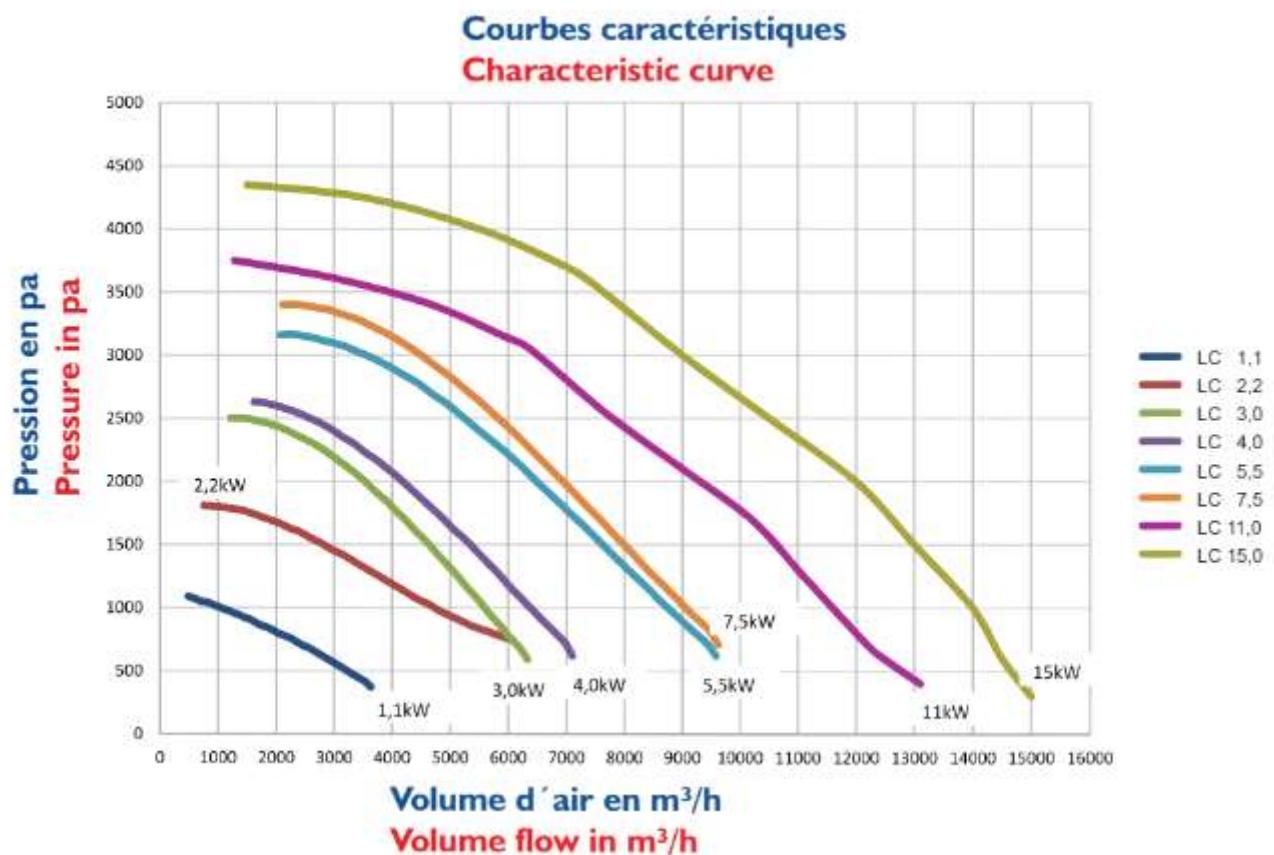


Which fan should I use?

If you choose the right powered fan, you will have an efficient system to cool and ventilate your storage. Therefore the fan must be selected with sufficient operating pressure, depending on the stored grain.

When the seeds are small, for example rape and lentil, the pressure must be high so that air can pass through. On the contrary, for large seeds as beans, we need a lower pressure. The higher and narrower the silo is, the more fan pressure is needed.

(The type of fan will be confirmed according to grain moisture and temperature).



Transitions to order:

Description	Article
Transition for Jet-Wind LC 1,1	4009023015671
Transition for Jet-Wind LC 2,2	4009023015672
Transition for Jet-Wind LC 3,0 / LC 4,0	4009023015673
Transition for Jet-Wind LC 5,5 / LC 7,5	4009023015674
Transition for Jet-Wind LC 11 / LC 15	4009023015721

Options :

- Silencers
- Frequency converters
- Moisture and temperature sensors
- Silo-Manager AW Control : check all the data and control the starting of the ventilation if necessary. (when the sensor detects the temperature and moisture rate, the data collecting box will automatically send a message to the fans). This is particularly useful in autumn, because in this season there is more work in the fields. This system will pay for itself in just a short time. Thanks to this complete automated system the energy efficiency is improved and the grain is cooled faster.

Example : direct ventilation with spiral hose



For any further information, please visit our website:

[Homepage - Schmelzer \(a-schmelzer.com\)](http://a-schmelzer.com)

Tel: +49 (0)9231/9792-0

zentrale@a-schmelzer.de