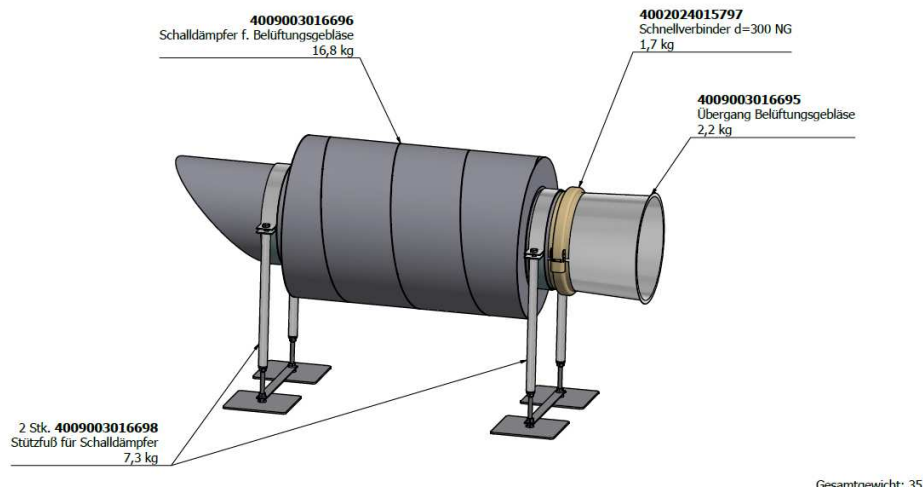


# Silencer for fans



## Advantages :

- easy adaptability
- Significantly reduced noise (- 10 décibel)
- adjustable height

## List of parts for the galvanized silencer:

Silencer – pipe section / Support in 2 parts / Transition to fan / Quick clamping ring

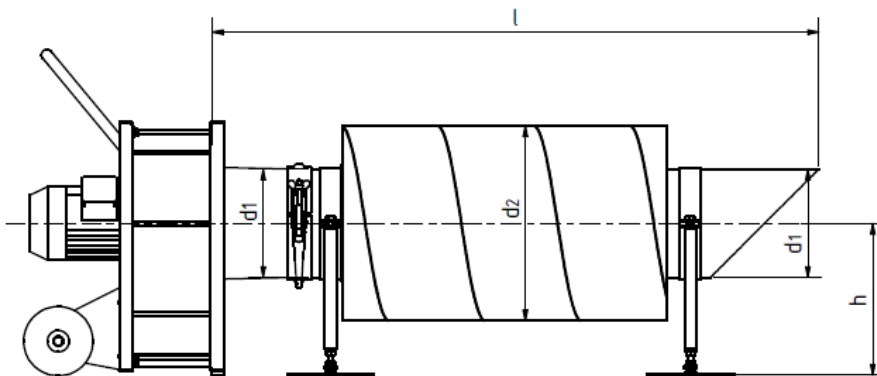
## Different articles depending on the fan:

Article	Silencer
4009003016586	Silencer for fan Jet-Wind LC 1,1
4009003016587	Silencer for fan Jet-Wind LC 2,2
4009003016588	Silencer for fan Jet-Wind LC 3,0
4009003016588	Silencer for fan Jet-Wind LC 4,0
4009003016589	Silencer for fan Jet-Wind LC 5,5
4009003016589	Silencer for fan Jet-Wind LC 7,5

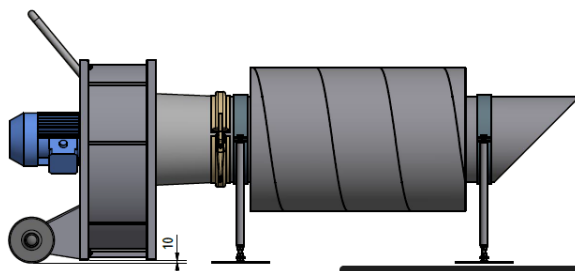
# Silencer for fans

## Dimensions :

Fan	Diameter d1	Diameter silencer d2	Height h	Length l			
LC 1.1	250	450	350	1136			
LC 2.2	300	500	430	1136			
LC 3.0	300	500	500	1136			
LC 4.0	300	500	500	1136			
LC 5.5	300	500 </tr <tr> <td>LC 7.5</td> <td>300</td> <td>500</td> <td>560</td> <td>1136</td> </tr>	LC 7.5	300	500	560	1136
LC 7.5	300	500	560	1136			



## Silencer assembly to the fan :



Transition to fan +  
clamping ring included

Special construction on request

For any further information, please visit our website:

[Homepage - Schmelzer \(a-schmelzer.com\)](http://a-schmelzer.com)

Tel: +49 (0)9231/9792-0

zentrale@a-schmelzer.de