

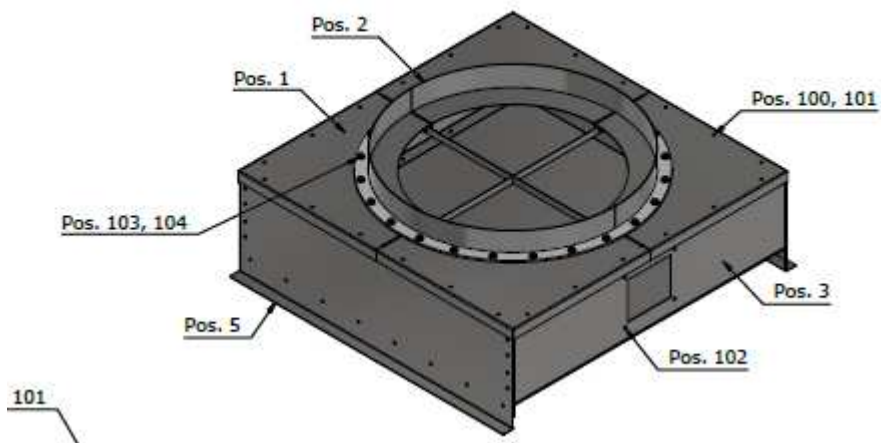
Straw bale drying



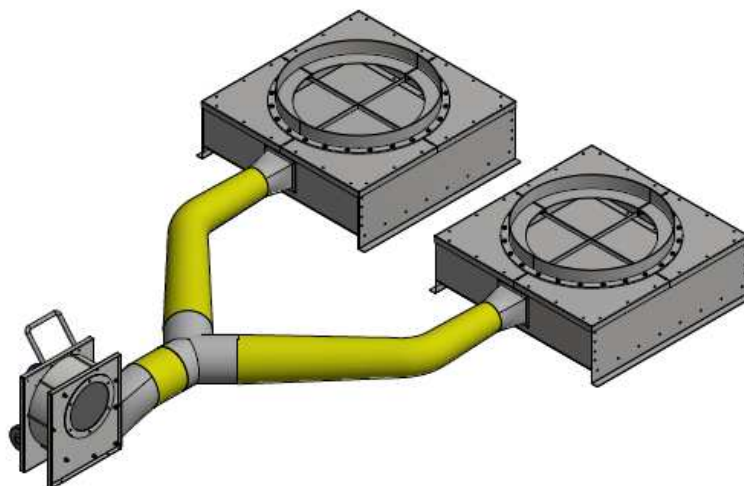
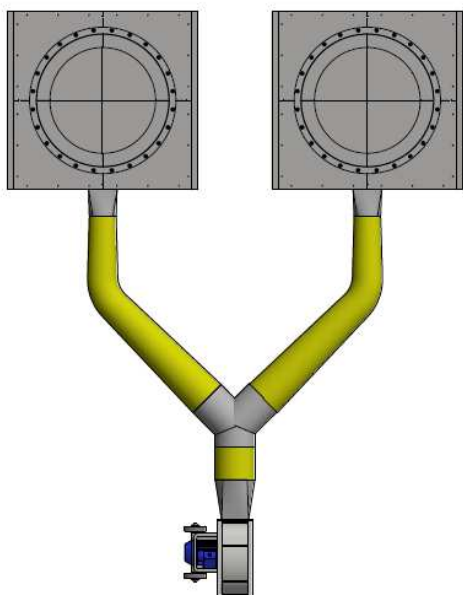
Description and advantages :

- Quick dry of hay bale : approx 1 day
- Diameter : 1250 mm
- In line drying possible to save time and energy (see our proposal)
- Per bale : 1000 m³/h air and pressure 700- 1000 Pa is necessary (depending on the bale thickness).
- Delivery : assembled and ready to use

For one bale :



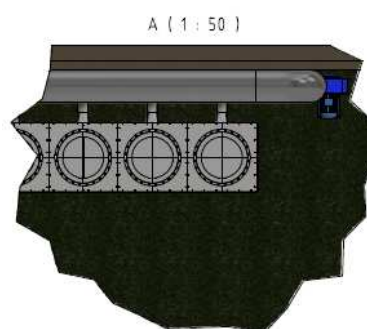
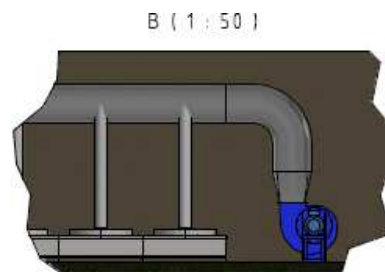
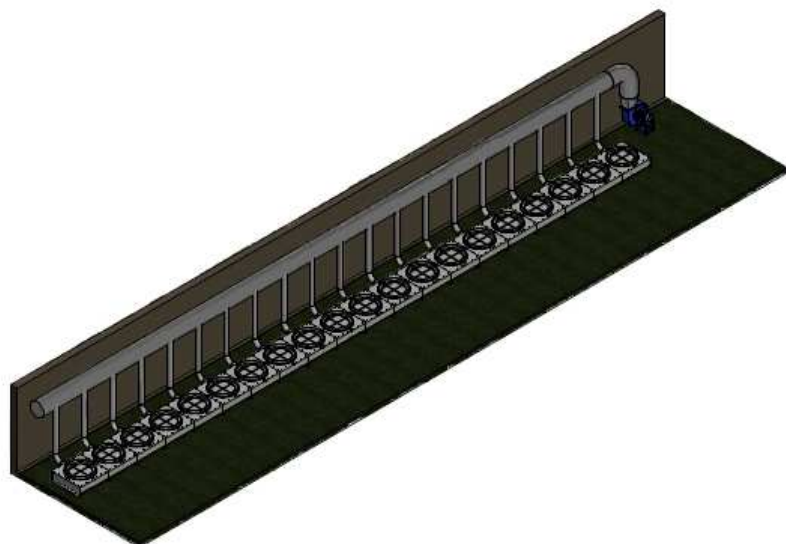
For 2 bales :



Fan to be used :

- Fan LC2,2 (article 4009029015765)

For a complete line :



Delivery time : approx. 4 weeks

Our website:

[Homepage - Schmelzer \(a-schmelzer.com\)](http://a-schmelzer.com)

Tel: +49 (0)9231/9792-0

zentrale@a-schmelzer.de