

# Air Rocket



Patent

## For ventilation and drying

### Advantages :

- Robust construction thanks to its corrugated sheet metal structure
- Can be installed later in the silo because it will be delivered completely disassembled
- Low pressure loss due to large air surface – therefore lower energy consumption
- Air supply at the center of the silo
- Reduces your ventilation time by up to 40%
- Can be used in all types of silos and in cone angles thanks to adjustable feet!



### Reminder:

- a) Ventilation to protect against moisture : 15 – 20 m<sup>3</sup>/h par m<sup>3</sup> storage
- b) Ventilation for drying : 80 – 120 m<sup>3</sup>/h per m<sup>3</sup> storage

---

## 2 types of Air Rocket depending on the silo:

- Silo diameter silo 5m : AIR ROCKET K30 2/4 IHE - Article 4009003016182
- Silo diameter silo 7m : AIR ROCKET K30 3/5 IHE - Article 4009003016223

sheet metal thickness : 2 and 3 mm depending on the parts

\*\*\*\*\*

## When can our Air Rocket be used?

- Max. dumping height 7m
- Max. silo diameter 5m / 7m
- When an extremely well-distributed air flow is required
- When you want to ensure quality cereals at very low cost

**Warning: never store grain with a moisture content of more than 18%.**

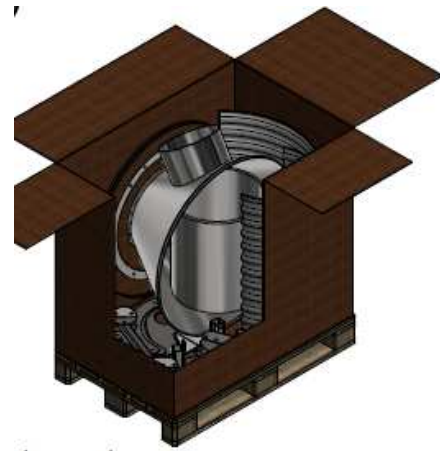
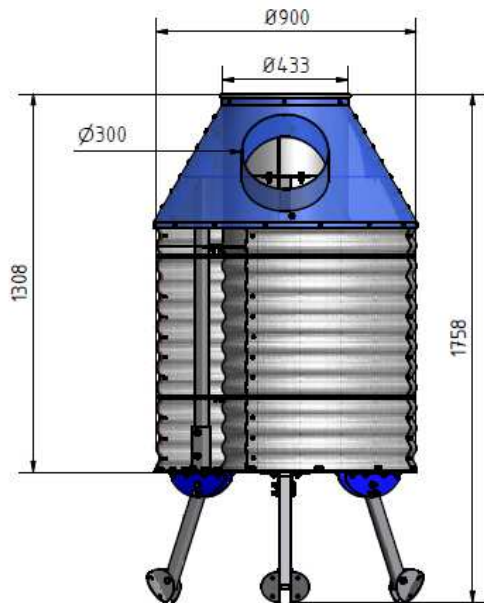
\*\*\*\*\*

- For **ventilation** and **drying**
  - Can be used in all silo types
  - Can be fixed on the floor



## Drawing and dimensions :

Article 4009003016182 AIR ROCKET K30 2/4 IHE



Special packaging

## Option :

- Air is supplied by fans LC (to be ordered separately)
- Spiral hose and all connection parts – on request

## Example :



Our website:

[Homepage - Schmelzer \(a-schmelzer.com\)](http://a-schmelzer.com)

Tel: +49 (0)9231/9792-0

zentrale@a-schmelzer.de