



User manual

Box 2m³

Ventilation-, Drying- and Storage box



Figure 1: 2m³ Box

Ambros Schmelzer & Sohn GmbH & Co KG
Dr.-Zimmer-Str. 28, D-95679 Waldershof
Telephone 0049 (0) 9231-9792-0 Fax 0049 (0) 9231-72697
E-Mail info@a-schmelzer.de
www.a-schmelzer.de

Content

1	General	3
1.1	Foreword.....	3
1.2	Explanation of symbols	4
2	Description	4
3	Delivery	4
4	Intended use	4
4.1	Intended use of the product.....	4
4.2	Warnings about misuse.....	5
5	Safety instructions	5
5.1	Stability	5
5.2	Protective measures to be taken	5
5.3	Safety instructions for transport, handling and storage	6
6	Assembly	6
7	Using the box	12
8	Maintenance and repairs.....	12



This user manual has to be read and observed before setting into operation!

1 General

1.1 Foreword

This user manual has been created under consideration of the EU-Guideline for machines (06/42/EG), implemented by the Product Safety Act, to make easier use of the intended and appropriate usage of the product. This instruction contains important information about a safe and appropriate usage of the product. Observance of this instruction helps to reduce unavoidable residual risks, repair costs and downtimes and to increase reliability and lifetime through construction and safety measures.

This user manual must always be available at the operation site of the Air box.

This user manual must be read and observed by everyone who is charged with operation, handling and maintenance (inspection, repair) of the Air box

Pass this instruction on to every subsequent owner or user of the product.

Besides this instruction manual and the mandatory rules and regulations for accident prevention as "health and safety regulations of the Agricultural Employer's Liability Insurance Association", applicable in the country of use and at the operation site, the acknowledged technical standards for safe and professional work must also be observed.

The copyright for this instruction manual is owned by Fa. Schmelzer and must not be copied or made available to third parties without their written consent.

Manufacturer and customer service:

Ambros Schmelzer & Sohn GmbH & Co KG

Dr.-Zimmer-Str. 28

D - 95679 Waldershof

Tel.: 0049 (0) 9231 / 9792-0

Fax: 0049 (0) 09231 / 72697

www.a-schmelzer.de

1.2 Explanation of symbols



Use foot protection



Follow the instructions for use



Use head protection when working over head



Warning of a danger



Do not come under a load

2 Description

The Air box is designed for storage, ventilation and drying of goods with a size of >15mm. The Box is supplied in single components and has to be assembled by the customer itself. The number of boxes that can be stacked on top of each other depends on the goods that are stored. At least 2 boxes can be stacked on top of each other.

3 Delivery

- All metal sheet parts required
- Screw material

4 Intended use

4.1 Intended use of the product

The Box has been developed for goods >15mm. Goods can be stored, ventilated, dried and transported if required. The number of boxes that can be stacked on top of each other depends on the goods that are stored. At least 2 boxes can be stacked on top of each other. The Box may only be used, maintained and repaired by persons, who are familiar with it and who have been informed of the relevant dangers

- Unauthorized modifications are not permitted
- **The box may only be filled with bulk goods which have a maximum bulk density of 750 kg/m³**

4.2 Warnings about misuse



One Air-Box can be transported together with the contents



Do not come under a load

5 Safety instructions

5.1 Stability

The stability of the Box is ensured in a completely mounted state. Particularly during assembly and maintenance the units must be protected from falling over or falling down.

5.2 Protective measures to be taken

Make sure there is sufficient protection for hands and feet, especially during assembly. Wear head protection when lifting one of the components above your head.



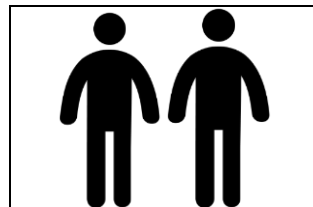


5.3 Safety instructions for transport, handling and storage

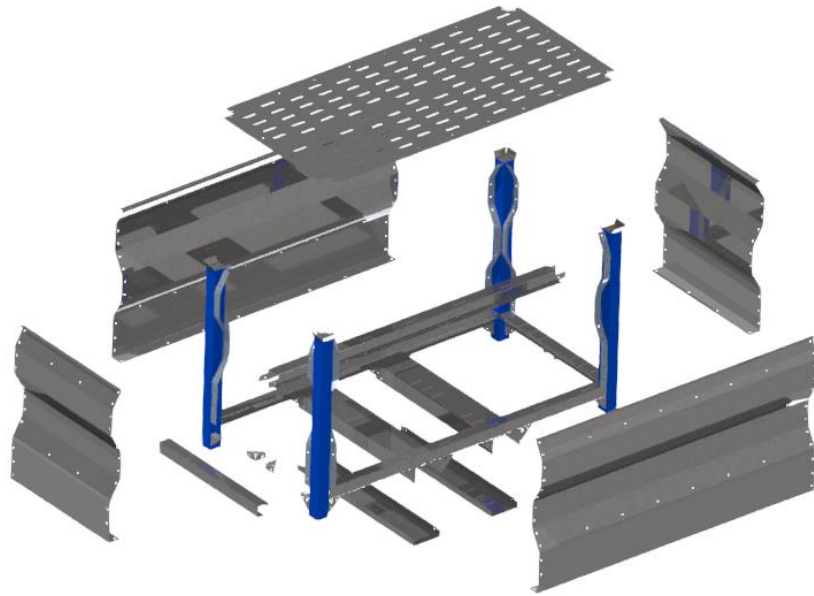
The relevant safety regulations must be observed during transportation, lifting or displacement of the device.

- It is prohibited to stand under suspended loads
- Only use lifting equipment with sufficient lifting power
- Apply required transport lock if necessary
- Secure against slipping
- Please follow the safety regulations

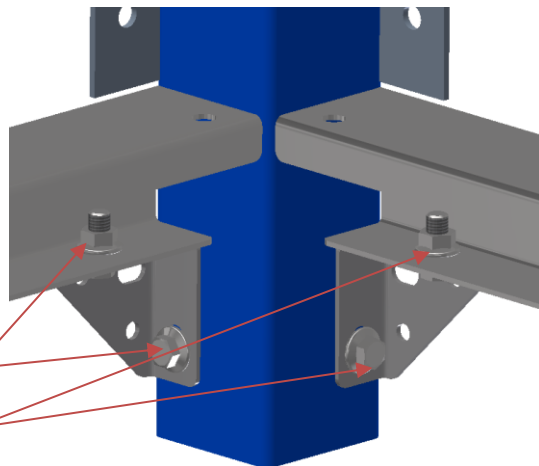
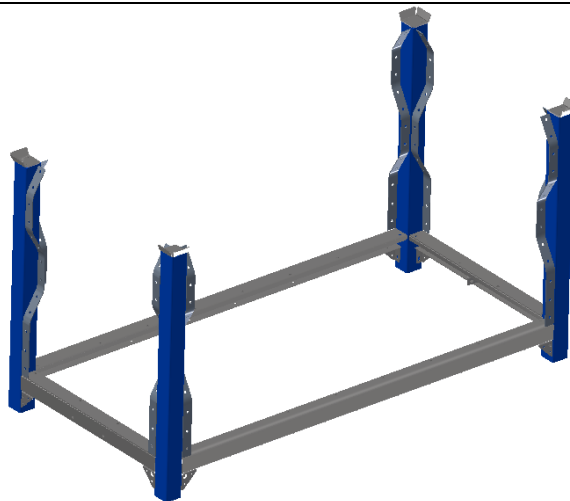
6 Assembly



- Tighten all screws only after complete assembly

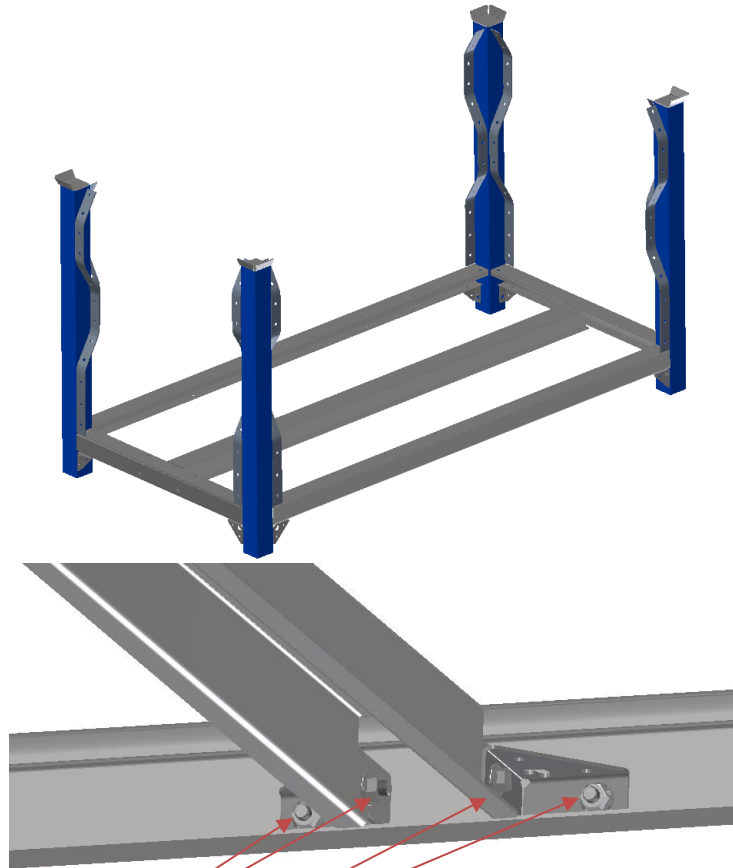


1



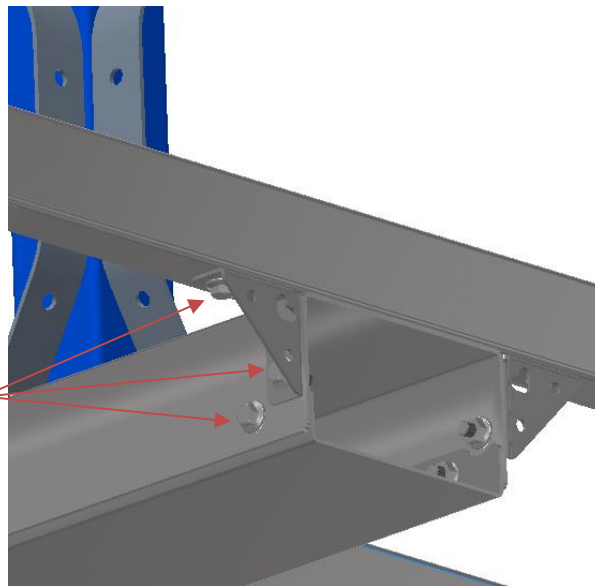
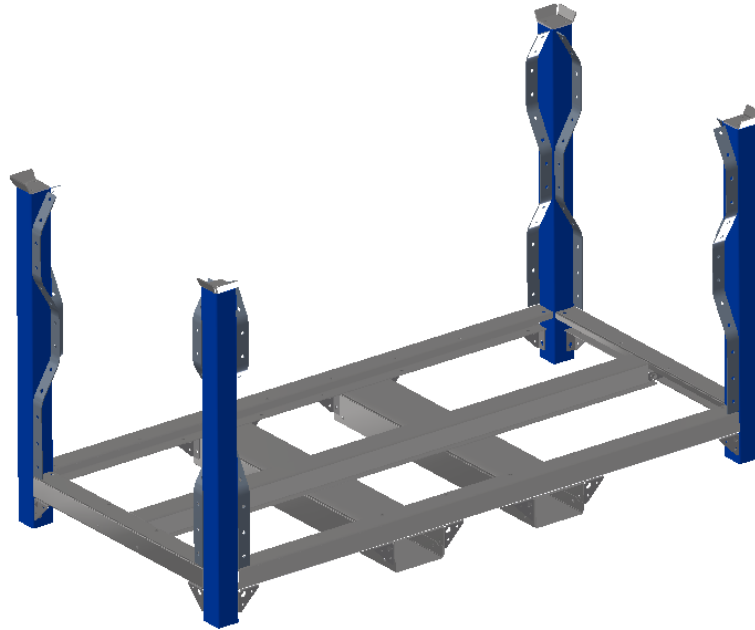
Screw DIN6921
M12x25+ Nut
DIN6923

2



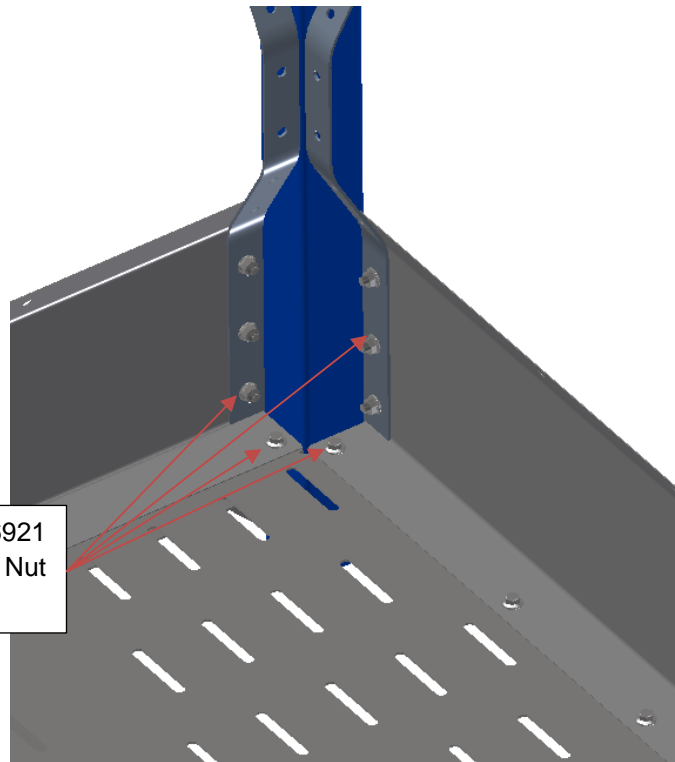
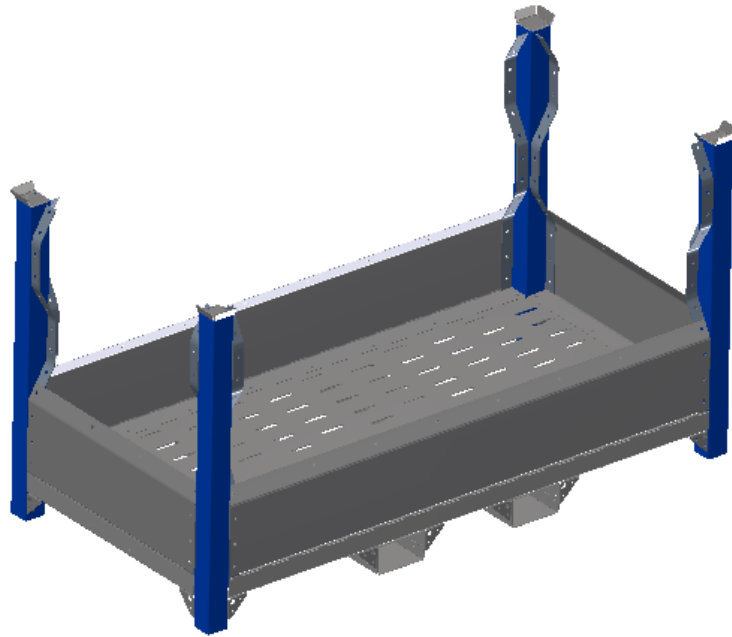
Screw DIN6921
M12x25+ Nut
DIN6923

3



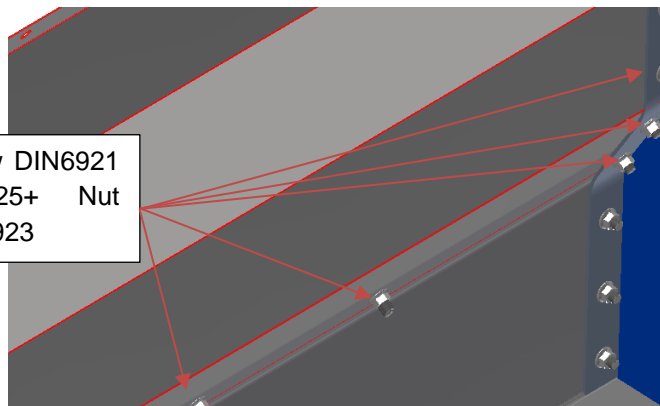
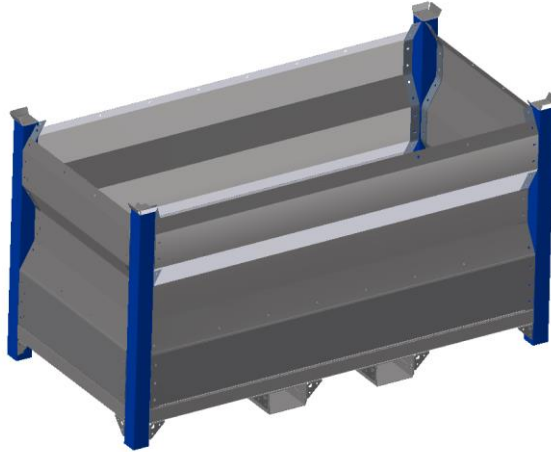
Screw DIN6921
M12x25+ Nut
DIN6923

4



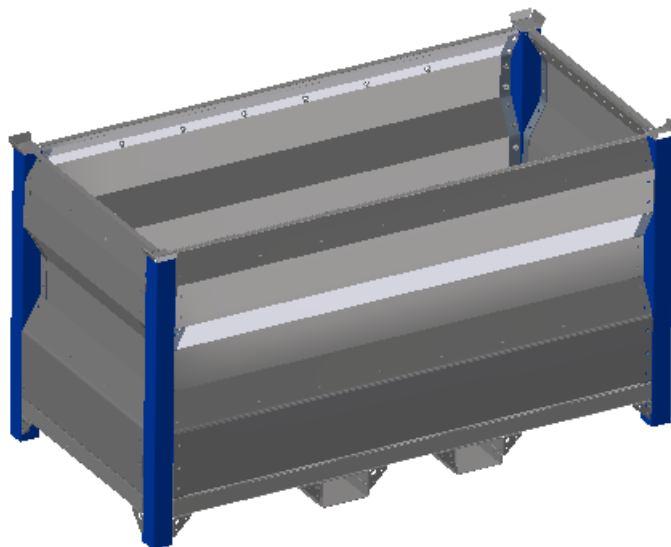
Screw DIN6921
M12x25+ Nut
DIN6923

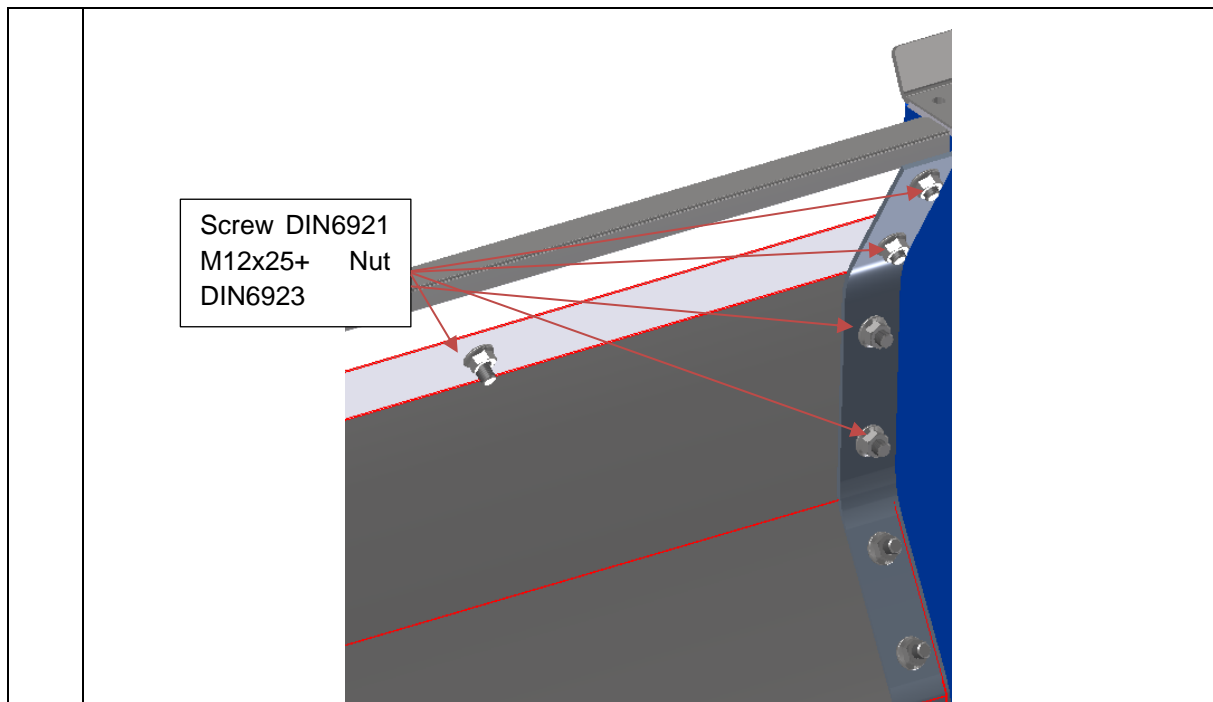
5



Screw DIN6921
M12x25+ Nut
DIN6923

6





7 Using the box

Filling

Fill the Box evenly and as centred as possible. Place the box on a level, load-bearing surface.

Emptying

Move the Box into a more upright position with the aid of a fork lift. Turn the fork.

8 Maintenance and repairs

During usage, especially when bulk goods with a floury percentage are filled in, blockages in the floor may occur. Please attend the cleanness of the perforation. Clean the perforation if necessary.